

DESCRIPTION:

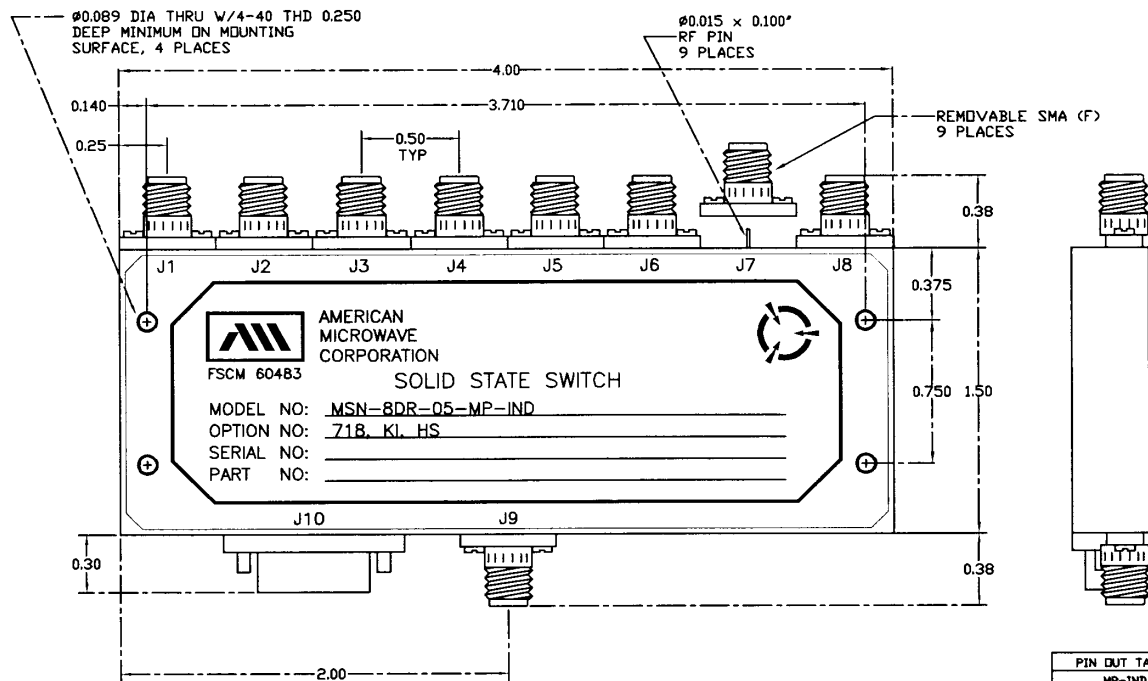
AMC MODEL NUMBER MSN-8DR-05-MP-IND OPTIONS 718, KI, HS IS A SINGLE POLE EIGHT THROW PIN DIODE SWITCH WITH LOW INSERTION LOSS AND WITH INTEGRAL TTL DRIVER. DESIGNED FOR THE 7.5 TO 18 GHz FREQUENCY RANGE.

REVISIONS				
ZONE	REV.	DESCRIPTION	DATE	APPROVED
-		ORIGINAL RELEASE, JOB# 807163E	10/30/03	

SPECIFICATIONS:

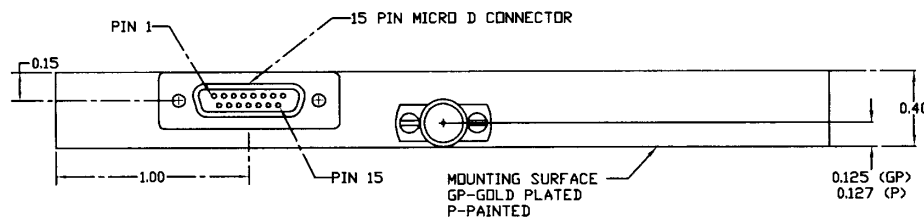
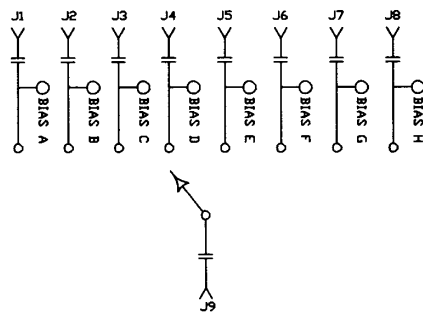
- FREQUENCY: 7.5 GHz TO 18 GHz
- INSERTION LOSS: 3.5 dB MAXIMUM
- ISOLATION: 60 dB MINIMUM
- VSWR: 2.0:1
- SPEED: RISE: 10ns MAXIMUM
FALL: 10ns MAXIMUM
DELAY ON: 75ns MAXIMUM
DELAY OFF: 75ns MAXIMUM
- POWER INPUT: (CW)+20dBm (STANDARD), +10 dBm (HIGH SPEED)
- SURVIVAL POWER: 2 WATT CW MINIMUM
- CONTROL: TTL LOGIC "0"=ON "1"=OFF
- POWER SUPPLY: +5V @ 400 mA MAXIMUM
-5V @ 75 mA MAXIMUM
- RF CONNECTORS: SMA FEMALE

MECHANICAL OUTLINE



PIN OUT TABLE	
MP-IND	
PIN NO.	FUNCTION
1	E1
2	E2
3	E3
4	E4
5	E5
6	E6
7	E7
8	E8
9	N/C
10	N/C
11	N/C
12	GND
13	+V
14	-V
15	GND

BLOCK DIAGRAM



ENVIRONMENTAL RATINGS:

- TEMPERATURE: -55°C TO +85°C (OPERATING)
-65°C TO +125°C (STORAGE)
- HUMIDITY: MIL-STD-202F, METHOD 103B COND. B
- SHOCK: MIL-STD-202F, METHOD 213B COND. B
- VIBRATION: MIL-STD-202F, METHOD 204D COND. B
- ALTITUDE: MIL-STD-202F, METHOD 105C COND. B
- TEMPERATURE CYCLE: MIL-STD-202F, METHOD 107D COND. A

NOTE: THE ABOVE SPECIFICATIONS ARE SUBJECT TO CHANGE OR REVISION

ALL DIMENSIONS ARE IN INCHES

TOLERANCES:
X.XX ±0.020
X.XXX ±0.010

CONFIDENTIAL AND PROPRIETARY

PART NO.		AMERICAN MICROWAVE CORPORATION FREDERICK, MARYLAND		
APPROVALS	DATE	TITLE		
DRAWN <i>WFLP</i>	10/30/03	PRODUCT FEATURE MSN-8DR-05-MP-IND OPTIONS 718, KI, HS SOLID STATE SWITCH		
CHECKED		SIZE	FSCM NO.	DWG NO.
ISSUED		A	60483	100-6821
		SCALE 1:1	SHEET 1 of 3	